

# Slim

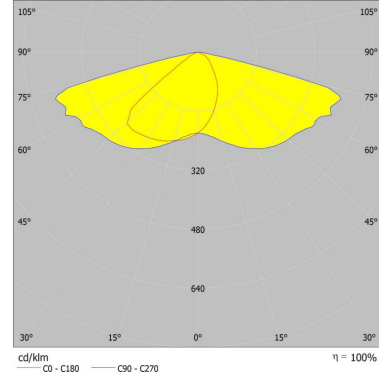
## 60W LED Street Light Specification



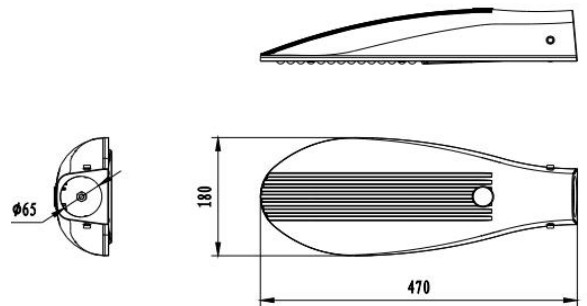
### Parameters

<b>Product Model</b>	YHL-ST7-60
<b>LED Chip Brand</b>	Nichia
<b>Light Efficiency</b>	≥110 lm/W
<b>Luminous Flux</b>	>6600 lm
<b>Color Temperature</b>	4500 ~ 5500K ( 2500 ~ 5500K optional)
<b>Beam Angle</b>	75°*150°
<b>Total Power Consumption</b>	60W±5W
<b>Output Current</b>	0.6A(Constant Current)
<b>Output Voltage</b>	DC 80~110V
<b>Net Weight</b>	2.65kg±0.1kg
<b>Light Dimensions</b>	L470mm×W180mm×H85mm
<b>Light Package Dimensions</b>	L550mm×W260mm×H165mm

### Light Distribution



### Physical Dimensions



≥0.90	70 Ra	IP65	≥100000 Hrs	AC 100-277V	47-63Hz
Power Factor	CRI	IP Level	TM-21(L70)	Input Voltage	Power Frequency

### Others

<b>Power Efficiency</b>	<b>Working Temperature (Environment)</b>	<b>Heat Sink Surface Temperature</b>
>87%	-20~+50°C	(Room Temperature 23.8°C)
<b>Fixture Efficiency</b>	<b>Working Humidity (Environment)</b>	<b>Luminaire Base Temperature</b>
≥90%	15%~90%RH	(Room Temperature 23.8°C)
<b>Total Harmonic Distortion</b>	<b>Storing Condition</b>	<b>LED Power Consumption</b>
≤15%	-40°C ~ +65°C	54W±5W

Suitable for Streetscape, Walkway, Plant road and Other Lighting Purposes