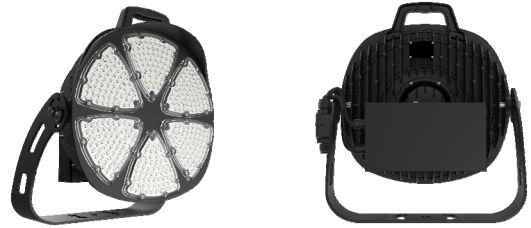


Argus

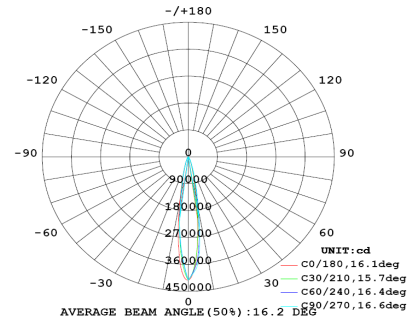
400W LED High Mast Light Specification



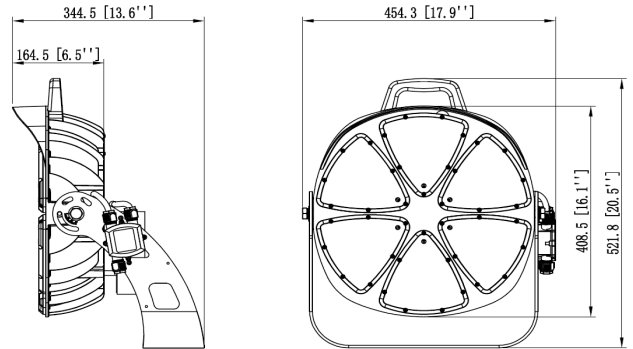
Parameters

Product Model	YHL-PO5-400
LED Chip	5050 (3535 Optional)
Light Efficiency	150 lm/W (130lm/w Optional)
Luminous Flux	60000 lm
Color Temperature	5000K(3000K/4000K/5700K Optional)
Beam Angle	15°(25°、60° Optional)
Total Power Consumption	400W±20W
Net Weight	17.0Kg±0.8Kg
Light Dimensions	L454.3mm×W521.8mm×H344.5mm
Light Package Dimensions	L685mm×W565mm×H330mm

Light Distribution



Physical Dimensions



≥0.95	70 Ra	IP66	≥100000 Hrs	AC 100-277V	47-63Hz
Power Factor	CRI	IP Level	TM-21(L70)	Input Voltage	Power Frequency

Others

Power Efficiency	Working Temperature (Environment)	Heat Sink Surface Temperature
≥93%	-40°C ~ +45°C	57.2°C (Room Temperature 25.7°C)
Fixture Efficiency	Working Humidity (Environment)	Luminaire Base Temperature
≥90%	15%~90%RH	67.5°C (Room Temperature 25.7°C)
Total Harmonic Distortion	Storing Condition	LED Power Consumption
≤15%	-40°C ~ +65°C	372W±20W

Suitable for Square, Intersection, Overpass bridge, Harbor, Dock, Airport, Toll station, Stadium and Other Lighting Purposes