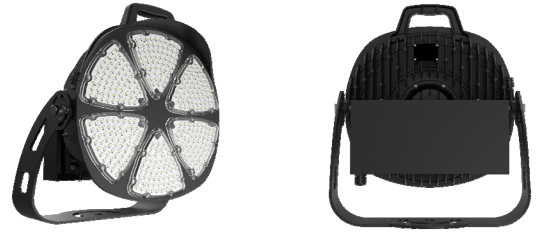


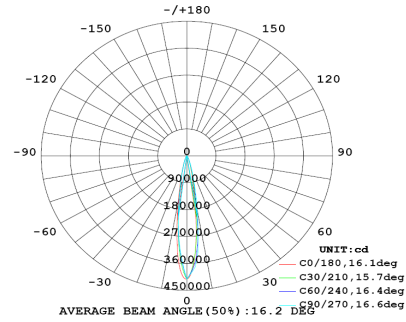
# Argus

## 600W LED High Mast Light Specification

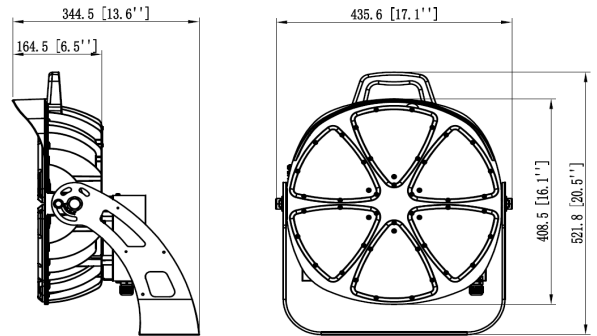


### Parameters Light Distribution

<b>Product Model</b>	YHL-PO5-600
<b>LED Chip</b>	5050 (3535 Optional)
<b>Light Efficiency</b>	150 lm/W (130lm/w Optional)
<b>Luminous Flux</b>	90000 lm
<b>Color Temperature</b>	5000K(3000K/4000K/5700K Optional)
<b>Beam Angle</b>	15°(25°、60° Optional)
<b>Total Power Consumption</b>	600W±30W
<b>Net Weight</b>	17.6Kg±0.8Kg
<b>Light Dimensions</b>	L435.6mm×W521.8mm×H344.5mm
<b>Light Package Dimensions</b>	L685mm×W565mm×H330mm



### Physical Dimensions



<b>≥0.95</b>	<b>70 Ra</b>	<b>IP66</b>	<b>≥100000 Hrs</b>	<b>AC 100-277V</b>	<b>47-63Hz</b>
Power Factor	CRI	IP Level	TM-21(L70)	Input Voltage	Power Frequency

### Others

<b>Power Efficiency</b>	<b>Working Temperature (Environment)</b>	<b>Heat Sink Surface Temperature</b>
≥93%	-40°C ~ +45°C	71.8°C (Room Temperature 25.4°C)
<b>Fixture Efficiency</b>	<b>Working Humidity (Environment)</b>	<b>Luminaire Base Temperature</b>
≥90%	15%~90%RH	79.4°C (Room Temperature 25.4°C)
<b>Total Harmonic Distortion</b>	<b>Storing Condition</b>	<b>LED Power Consumption</b>
≤15%	-40°C ~ +65°C	558±30W

Suitable for Square, Intersection, Overpass bridge, Harbor, Dock, Airport, Toll station, Stadium and Other Lighting Purposes