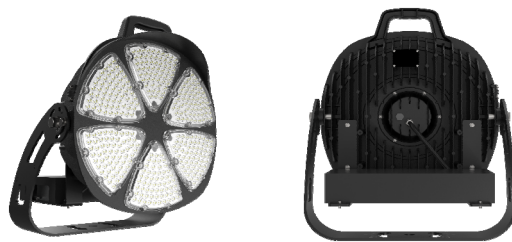


# Argus

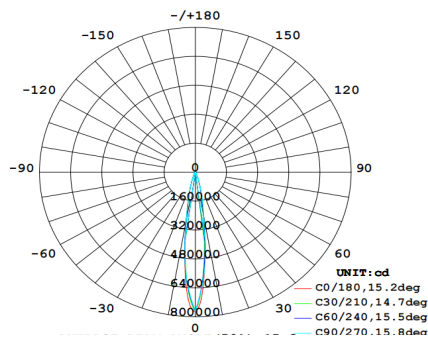
## 800W LED High Mast Light Specification



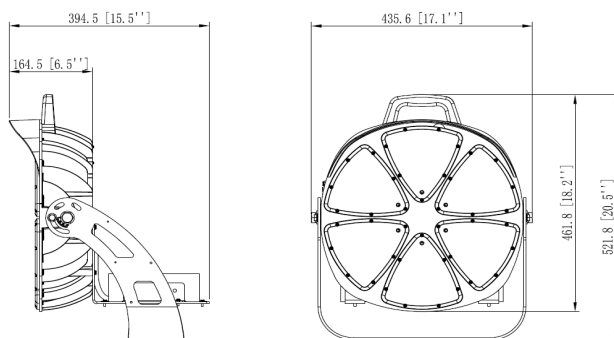
### Parameters

Product Model	YHL-PO5-800
LED Chip	3535
Light Efficiency	130lm/w
Luminous Flux	104000 lm
Color Temperature	5000K(3000K/4000K/5700K Optional)
Beam Angle	15°(25°、40° Optional)
Total Power Consumption	800W±40W
Net Weight	17.8Kg±0.8Kg
Light Dimensions	L435.6mm×W521.8mm×H394.5mm
Light Package Dimensions	L685mm×W565mm×H330mm

### Light Distribution



### Physical Dimensions



≥0.95	70 Ra	IP66	≥50000 Hrs	AC 100-277V	47-63Hz
Power Factor	CRI	IP Level	TM-21(L70)	Input Voltage	IP Level

### Others

<b>Power Efficiency</b>	<b>Working Temperature (Environment)</b>	<b>Heat Sink Surface Temperature</b>
≥93%	-40°C ~ +35°C	88.6°C (Room Temperature 24.9°C)
<b>Fixture Efficiency</b>	<b>Working Humidity (Environment)</b>	<b>Luminaire Base Temperature</b>
≥90%	15%~90%RH	100.4°C (Room Temperature 24.9°C)
<b>Total Harmonic Distortion</b>	<b>Storing Condition</b>	<b>LED Power Consumption</b>
≤15%	-40°C ~ +65°C	744W±40W

Suitable for Square, Intersection, Overpass bridge, Harbor, Dock, Airport, Toll station, Stadium and Other Lighting Purposes.