

# Compact S

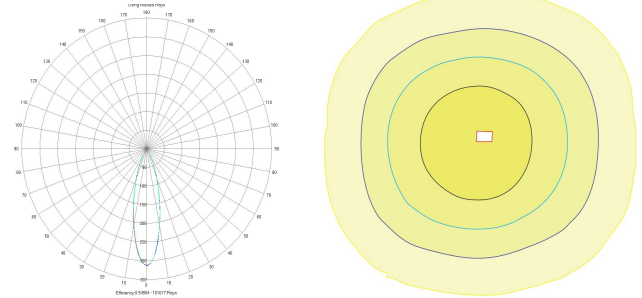
## 1200W LED High Mast Light Specification



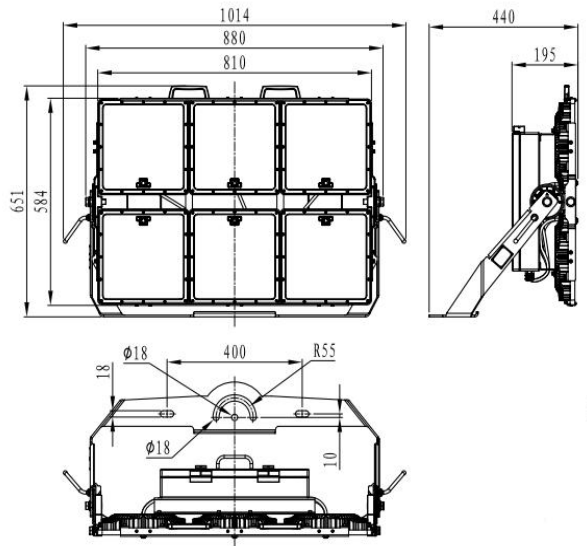
### Parameters

|                                 |                                     |
|---------------------------------|-------------------------------------|
| <b>Product Model</b>            | YHL-PO2-1200                        |
| <b>LED Chip Brand</b>           | Nichia                              |
| <b>Light Efficiency</b>         | 130 lm/W                            |
| <b>Luminous Flux</b>            | 156000 lm                           |
| <b>Color Temperature</b>        | 4500 ~ 5500K(2500 ~ 5500K optional) |
| <b>Beam Angle</b>               | 30°(60°、20° optional)               |
| <b>Total Power Consumption</b>  | 1200W±20W                           |
| <b>Output Current</b>           | 11.6A (constant current)*2          |
| <b>Output Voltage</b>           | DC 40 ~ 48V                         |
| <b>Net Weight</b>               | 36Kg±1.0Kg                          |
| <b>Light Dimensions</b>         | L1014mm×W651mm×H440mm               |
| <b>Light Package Dimensions</b> | L1082mm×W872mm×H312mm               |

### Light Distribution



### Physical Dimensions



|              |              |             |                    |                    |                 |
|--------------|--------------|-------------|--------------------|--------------------|-----------------|
| <b>≥0.95</b> | <b>75 Ra</b> | <b>IP65</b> | <b>≥100000 Hrs</b> | <b>AC 100-277V</b> | <b>47-63Hz</b>  |
| Power Factor | CRI          | IP Level    | TM-21(L70)         | Input Voltage      | Power Frequency |

### Others

|                                  |  |                                      |
|----------------------------------|--|--------------------------------------|
| <b>Power Efficiency</b>          | <b>Working Temperature (Environment)</b> | <b>Heat Sink Surface Temperature</b> |
| ≥93%                             | -40°C ~ +45°C                            | 73.3°C (Room Temperature29°C)        |
| <b>Fixture Efficiency</b>        | <b>Working Humidity (Environment)</b>    | <b>Luminaire Base Temperature</b>    |
| ≥90%                             | 15%~90%RH                                | 89.3°C (Room Temperature29°C)        |
| <b>Total Harmonic Distortion</b> | <b>Storing Condition</b>                 | <b>LED Power Consumption</b>         |
| ≤15%                             | -40°C ~ +65°C                            | 1116±20W                             |

Suitable for Square, Intersection, Overpass bridge, Harbor, Dock, Airport, Toll station, Stadium and Other Lighting Purposes

