

# Compact S

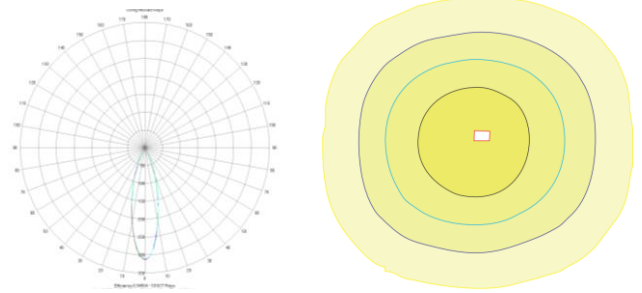
## 1200W LED High Mast Light Specification



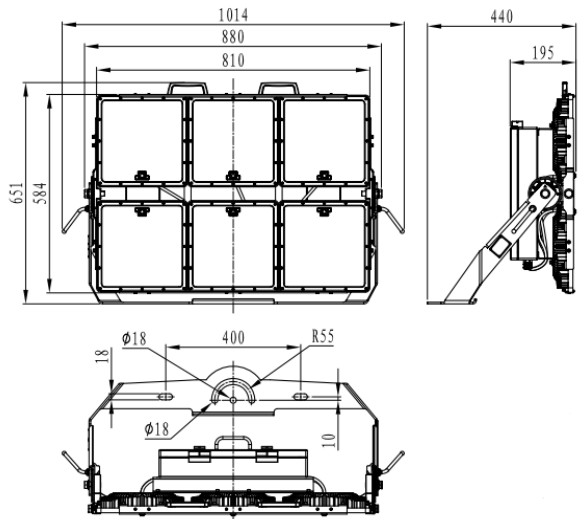
### Parameters

<b>Product Model</b>	YHL-PO2-1200
<b>LED Chip Brand</b>	Nichia
<b>Light Efficiency</b>	140 lm/W
<b>Luminous Flux</b>	168,000 lm
<b>Color Temperature</b>	4500 ~ 5500K(2500 ~ 5500K optional)
<b>Beam Angle</b>	30°(60°、20° optional)
<b>Total Power Consumption</b>	1200W±20W
<b>Output Current</b>	11.6A (constant current)*2
<b>Output Voltage</b>	DC 40 ~ 48V
<b>Net Weight</b>	36Kg±1.0Kg
<b>Light Dimensions</b>	L1014mm×W651mm×H440mm
<b>Light Package Dimensions</b>	L1082mm×W872mm×H312mm

### Light Distribution



### Physical Dimensions



<b>≥0.95</b>	<b>75 Ra</b>	<b>IP65</b>	<b>≥100000 Hrs</b>	<b>AC 100-277V</b>	<b>47-63Hz</b>
Power Factor	CRI	IP Level	TM-21(L <sub>70</sub> )	Input Voltage	Power Frequency

### Others

<b>Power Efficiency</b>	<b>Working Temperature (Environment)</b>	<b>Heat Sink Surface Temperature</b>
≥93%	-40°C ~ +45°C	73.3°C (Room Temperature29°C)
<b>Fixture Efficiency</b>	<b>Working Humidity (Environment)</b>	<b>Luminaire Base Temperature</b>
≥90%	15%~90%RH	89.3°C (Room Temperature29°C)
<b>Total Harmonic Distortion</b>	<b>Storing Condition</b>	<b>LED Power Consumption</b>
≤15%	-40°C ~ +65°C	1116±20W

Suitable for Square, Intersection, Overpass bridge, Harbor, Dock, Airport, Toll station, Stadium and Other Lighting Purposes