

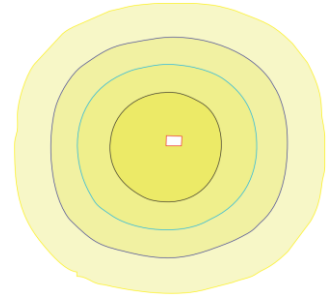
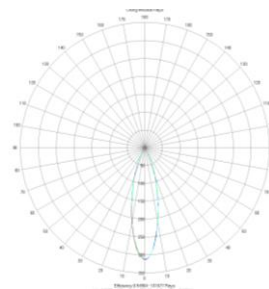
# Compact S

## 400W LED High Mast Light Specification

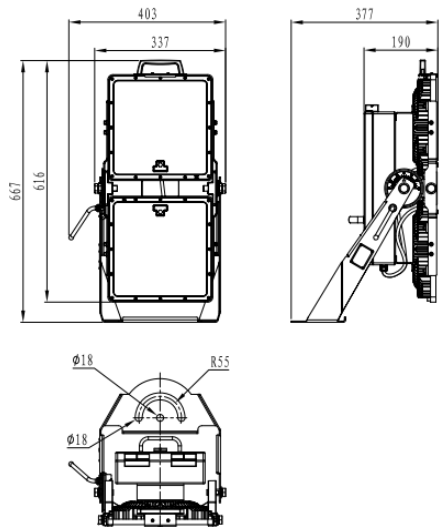


Parameters	
Product Model	YHL-PO2-400
LED Chip Brand	Nichia
Light Efficiency	140 lm/W
Luminous Flux	56000 lm
Color Temperature	4500 ~ 5500K(2500 ~ 5500K optional)
Beam Angle	30°(60°、20° optional)
Total Power Consumption	400W±20W
Output Current	3.83A(constant current)*2
Output Voltage	DC 40 ~ 48V
Net Weight	14.5Kg±0.6Kg
Light Dimensions	L667mm×W403mm×H377mm
Light Package Dimensions	L832mm×W472mm×H312mm

### Light Distribution



### Physical Dimensions



<b>≥0.95</b>	<b>75 Ra</b>	<b>IP65</b>	<b>≥100000 Hrs</b>	<b>AC 100-277V</b>	<b>47-63Hz</b>
Power Factor	CRI	IP Level	TM-21(L <sub>70</sub> )	Input Voltage	Power Frequency

### Others

<b>Power Efficiency</b>	<b>Working Temperature (Environment)</b>	<b>Heat Sink Surface Temperature</b>
≥93%	-40°C ~ +45°C	78.2°C (Room Temperature 29°C)
<b>Fixture Efficiency</b>	<b>Working Humidity (Environment)</b>	<b>Luminaire Base Temperature</b>
≥90%	15%~90%RH	69.3°C (Room Temperature 29°C)
<b>Total Harmonic Distortion</b>	<b>Storing Condition</b>	<b>LED Power Consumption</b>
≤15%	-40°C ~ +65°C	372W±20W

Suitable for Square, Intersection, Overpass bridge, Harbor, Dock, Airport, Toll station, Stadium and Other Lighting Purposes