

# Compact S

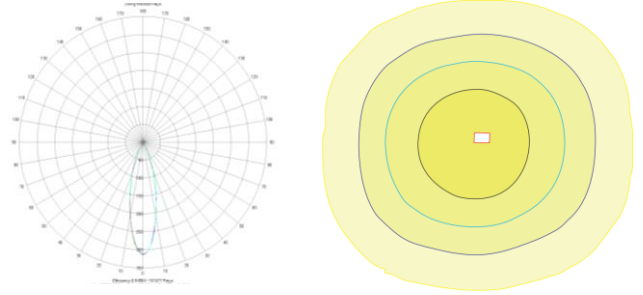
## 800W LED High Mast Light Specification



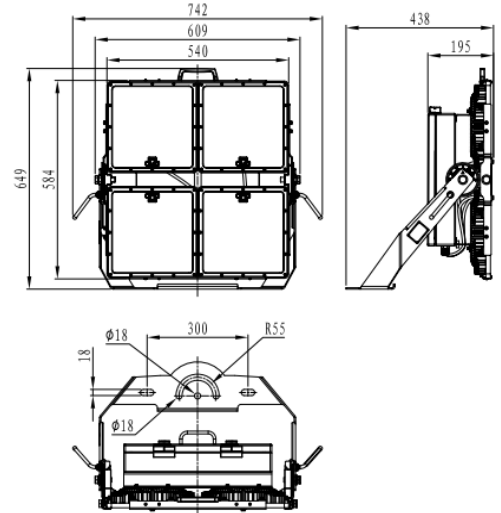
### Parameters

Product Model	YHL-PO2-800
LED Chip Brand	Nichia
Light Efficiency	140 lm/W
Luminous Flux	112,000 lm
Color Temperature	4500 ~ 5500K(2500 ~ 5500K optional)
Beam Angle	30°(60°、20° optional)
Total Power Consumption	800W±20W
Output Current	3.9A (constant current)*4
Output Voltage	DC 40 ~ 48V
Net Weight	25.5Kg±0.8Kg
Light Dimensions	L742mm×W649mm×H438mm
Light Package Dimensions	L862mm×W812mm×H312mm

### Light Distribution



### Physical Dimensions



≥0.95	75 Ra	IP65	≥100000 Hrs	AC 100-277V	47-63Hz
Power Factor	CRI	IP Level	TM-21(L <sub>70</sub> )	Input Voltage	Power Frequency

### Others

<b>Power Efficiency</b>	<b>Working Temperature (Environment)</b>	<b>Heat Sink Surface Temperature</b>
≥93%	-40°C ~ +45°C	65.5°C (Room Temperature29°C)
<b>Fixture Efficiency</b>	<b>Working Humidity (Environment)</b>	<b>Luminaire Base Temperature</b>
≥90%	15%~90%RH	83.9°C (Room Temperature29°C)
<b>Total Harmonic Distortion</b>	<b>Storing Condition</b>	<b>LED Power Consumption</b>
≤15%	-40°C ~ +65°C	744W±20W

Suitable for Square, Intersection, Overpass bridge, Harbor, Dock, Airport, Toll station, Stadium and Other Lighting Purposes