

# Compact I V2.0

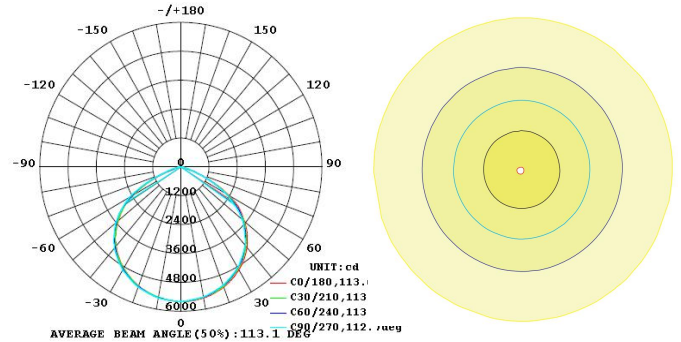
## 100W LED High Bay Specification



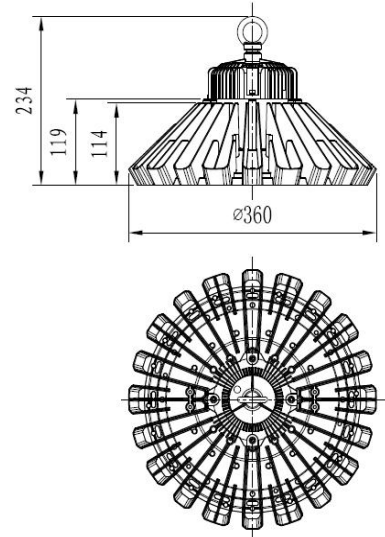
### Parameters

<b>Product Model</b>	YHL-ID-100-HB-VD(V2.0)
<b>LED Chip Brand</b>	Nichia
<b>Light Efficiency</b>	150 lm/W (130lm/W optional)
<b>Luminous Flux</b>	15000 lm
<b>Color Temperature</b>	4500 ~ 5500K(2500 ~ 5500K optional)
<b>Beam Angle</b>	120°(90° optional)
<b>Total Power Consumption</b>	105W±5W
<b>Output Current</b>	2.3A (constant current)
<b>Output Voltage</b>	DC 40-48V
<b>Net Weight</b>	4.3kg±0.3kg
<b>Light Dimensions</b>	L360mm×W360mm×H234mm
<b>Light Package Dimensions</b>	1 piece/package: L440mm×W440mm×H310mm

### Light Distribution



### Physical Dimensions



≥0.95	75 Ra	IP65	≥100000 Hrs	AC 100-277V	47-63Hz
Power Factor	CRI	IP Level	TM-21(L70)	Input Voltage	Power Frequency

### Others

<b>Power Efficiency</b>	<b>Working Temperature (Environment)</b>	<b>Heat Sink Surface Temperature</b>
≥91%	-40°C ~ +50°C	57°C (Room Temperature30°C)
<b>Fixture Efficiency</b>	<b>Working Humidity (Environment)</b>	<b>Luminaire Base Temperature</b>
≥90%	15%~90%RH	65°C (Room Temperature30°C)
<b>Total Harmonic Distortion</b>	<b>Storing Condition</b>	<b>LED Power Consumption</b>
≤15%	-40°C ~ +65°C	90W±5W

Suitable for Workshop, Warehouse, Gymnasium, Gas station, Shopping mall, Garage and other Lighting Purposes