

# Compact I V2.0

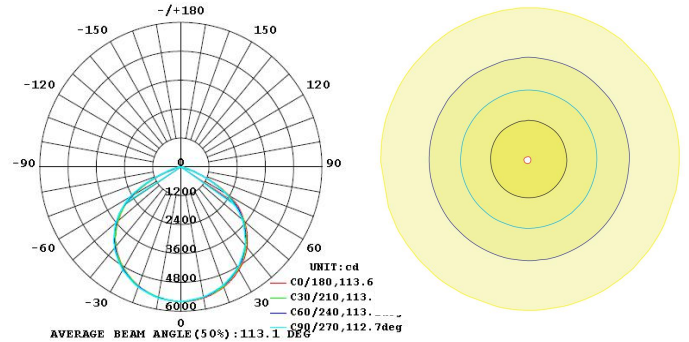
## 200W LED High Bay Specification



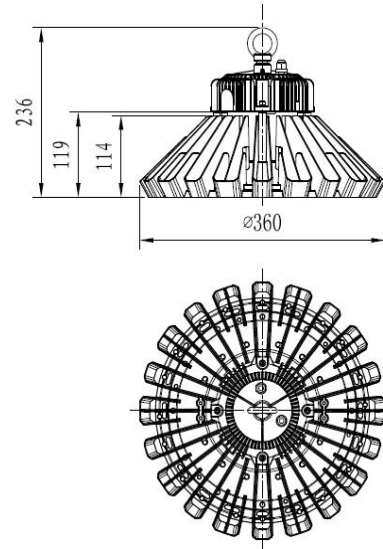
### Parameters

<b>Product Model</b>	YHL-ID-150-HB-VD(V2.0)
<b>LED Chip Brand</b>	Nichia
<b>Light Efficiency</b>	150 lm/W (130lm/W optional)
<b>Luminous Flux</b>	30000lm
<b>Color Temperature</b>	4500 ~ 5500K(2500 ~ 5500K optional)
<b>Beam Angle</b>	120°(90° optional)
<b>Total Power Consumption</b>	205W±5W
<b>Output Current</b>	4.5A(constant current)
<b>Output Voltage</b>	DC 40-48V
<b>Net Weight</b>	5.4kg±0.3kg
<b>Light Dimensions</b>	L360mm×W360mm×H249mm
<b>Light Package Dimensions</b>	L440mm×W440mm×H310mm

### Light Distribution



### Physical Dimensions



<b>≥0.95</b>	<b>75 Ra</b>	<b>IP65</b>	<b>≥100000 Hrs</b>	<b>AC 100-277V</b>	<b>47-63Hz</b>
Power Factor	CRI	IP Level	TM-21(L <sub>70</sub> )	Input Voltage	Power Frequency

### Others

<b>Power Efficiency</b>	<b>Working Temperature (Environment)</b>	<b>Heat Sink Surface Temperature</b>
>92%	-40°C ~ +50°C	61°C (Room Temperature 30°C)
<b>Fixture Efficiency</b>	<b>Working Humidity (Environment)</b>	<b>Luminaire Base Temperature</b>
≥90%	15%~90%RH	72°C (Room Temperature 30°C)
<b>Total Harmonic Distortion</b>	<b>Storing Condition</b>	<b>LED Power Consumption</b>
≤15%	-40°C ~ +65°C	188W±5W

Suitable for Workshop, Warehouse, Gymnasium, Gas station, Shopping mall, Garage and other Lighting Purposes