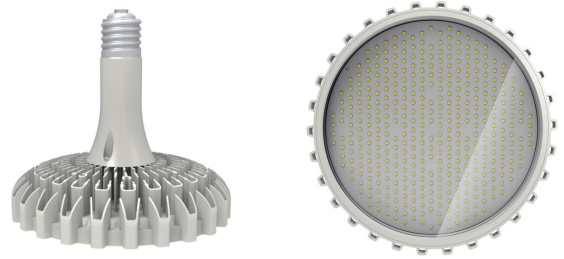


# Compact II

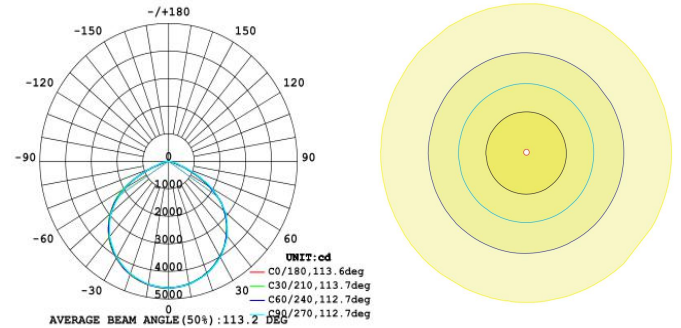
## 60W LED High Bay Specification



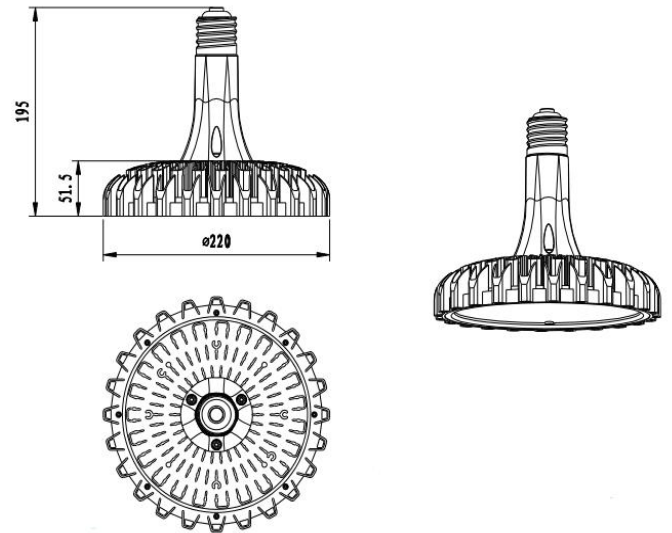
### Parameters

<b>Product Model</b>	YHL-ID-60-HB-VE(ES)
<b>LED Chip Brand</b>	Nichia
<b>Light Efficiency</b>	≥150 lm/W ( 130lm/W可选 )
<b>Luminous Flux</b>	>9000 lm
<b>Color Temperature</b>	4500 ~ 5500K(2500 ~ 5500K optional)
<b>Beam Angle</b>	120° ( 90°optional)
<b>Total Power Consumption</b>	65W±5W
<b>Output Current</b>	1.15A ( constant current)
<b>Output Voltage</b>	DC 50-54V
<b>Net Weight</b>	1.2KG±0.2kg(without driver)
<b>Light Dimensions</b>	L220mm*W220mm*H195mm
<b>Light Package Dimensions</b>	L300mm*W300mm*H250mm

### Light Distribution



### Physical Dimensions



<b>≥0.95</b>	<b>70 Ra</b>	<b>IP65</b>	<b>≥100000 Hrs</b>	<b>AC 100-277V</b>	<b>47-63Hz</b>
Power Factor	CRI	IP Level	TM-21(L <sub>70</sub> )	Input Voltage	Power Frequency

### Others

<b>Power Efficiency</b>	<b>Working Temperature (Environment)</b>	<b>Heat Sink Surface Temperature</b>
>90%	-40°C ~ +50°C	51.1°C( Room Temperature 27.7°C)
<b>Fixture Efficiency</b>	<b>Working Humidity (Environment)</b>	<b>Luminaire Base Temperature</b>
≥90%	15% ~ 90%RH	60.9°C (Room Temperature 27.7°C)
<b>Total Harmonic Distortion</b>	<b>Storing Condition</b>	<b>LED Power Consumption</b>
≤15%	-40°C ~ +65°C	58W±5W

Suitable for Workshop, Warehouse, Gymnasium, Gas station, Shopping mall, Garage and other Lighting Purposes