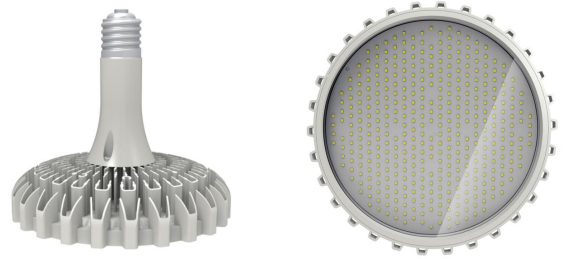


Compact II

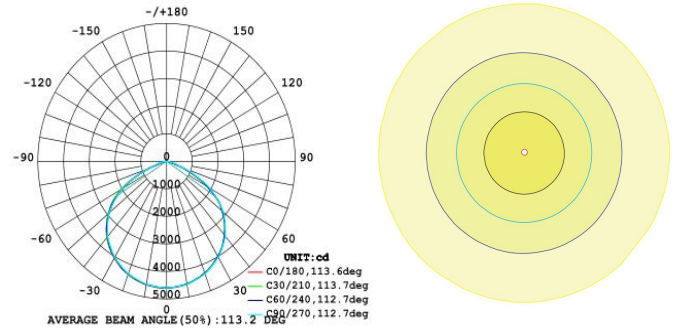
80W LED High Bay Specification



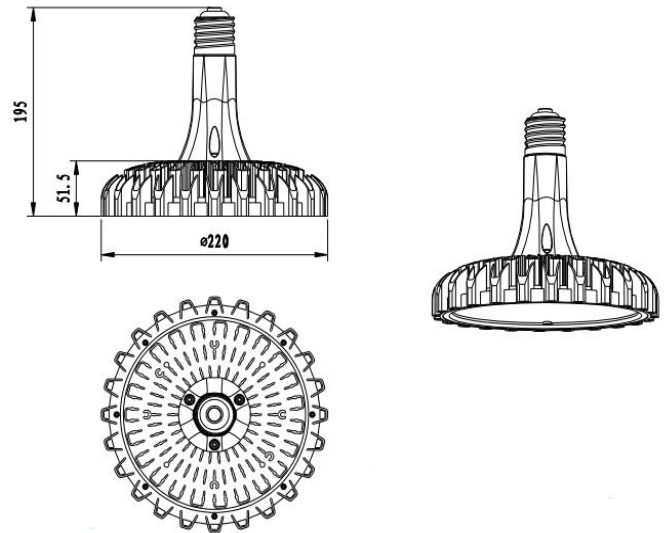
Parameters

Product Model	YHL-ID-80-HB-VE(ES)
LED Chip Brand	Nichia
Light Efficiency	≥150 lm/W (130lm/W Optional)
Luminous Flux	>12000 lm
Color Temperature	4500 ~ 5500K(2500 ~ 5500K optional)
Beam Angle	120° (90°optional)
Total Power Consumption	85W±5W
Output Current	2.3A (constant current)
Output Voltage	DC 30-36V
Net Weight	1.2KG±0.2kg(without driver)
Light Dimensions	L220mm*W220mm*H195mm
Light Package Dimensions	L300mm*W300mm*H250mm

Light Distribution



Physical Dimensions



≥0.95	70 Ra	IP65	≥100000 Hrs	AC 100-277V	47-63Hz
Power Factor	CRI	IP Level	TM-21(L ₇₀)	Input Voltage	Power Frequency

Others

Power Efficiency	Working Temperature (Environment)	Heat Sink Surface Temperature
≥91%	-40°C ~ +50°C	61.1°C(Room Temperature 27.7°C)
Fixture Efficiency	Working Humidity (Environment)	Luminaire Base Temperature
≥90%	15% ~ 90%RH	70.9°C (Room Temperature 27.7°C)
Total Harmonic Distortion	Storing Condition	LED Power Consumption
≤15%	-40°C ~ +65°C	78W±5W

Suitable for Workshop, Warehouse, Gymnasium, Gas station, Shopping mall, Garage and other Lighting Purposes