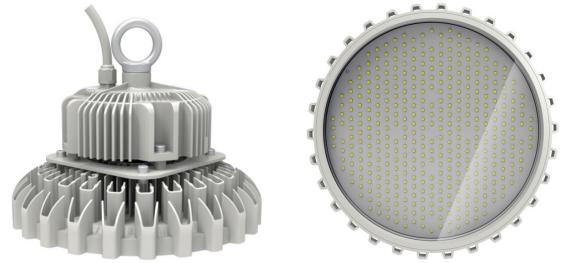


Compact II

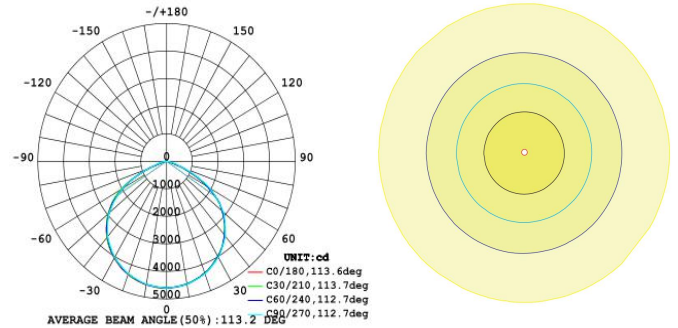
60W LED High Bay Specification



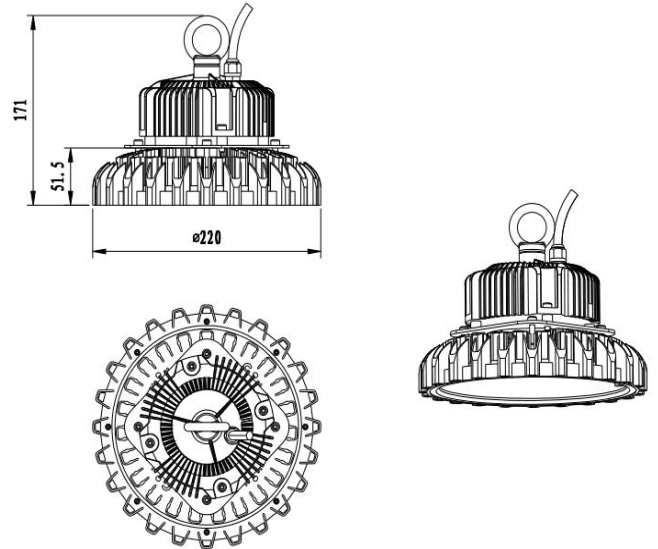
Parameters

Product Model	YHL-ID-60-HB-VE
LED Chip Brand	Nichia
Light Efficiency	≥150 lm/W (130lm/W Optional)
Luminous Flux	>9000 lm
Color Temperature	4500 ~ 5500K(2500 ~ 5500K optional)
Beam Angle	120° (90°optional)
Total Power Consumption	65W±5W
Output Current	1.05A (constant current)
Output Voltage	DC 37-55V
Net Weight	2.4KG±0.2kg(with driver)
Light Dimensions	L220mm*W220mm*H171mm
Light Package Dimensions	L300mm*W300mm*H255mm

Light Distribution



Physical Dimensions



≥0.95	70 Ra	IP65	≥100000 Hrs	AC 100-277V	47-63Hz
Power Factor	CRI	IP Level	TM-21(L70)	Input Voltage	Power Frequency

Others

Power Efficiency	Working Temperature (Environment)	Heat Sink Surface Temperature
>90%	-30°C ~ +50°C	51.1°C(Room Temperature 27.7°C)
Fixture Efficiency	Working Humidity (Environment)	Luminaire Base Temperature
≥90%	15% ~ 90%RH	60.9°C (Room Temperature 27.7°C)
Total Harmonic Distortion	Storing Condition	LED Power Consumption
≤15%	-40°C ~ +65°C	58W±5W

Suitable for Workshop, Warehouse, Gymnasium, Gas station, Shopping mall, Garage and other Lighting Purposes