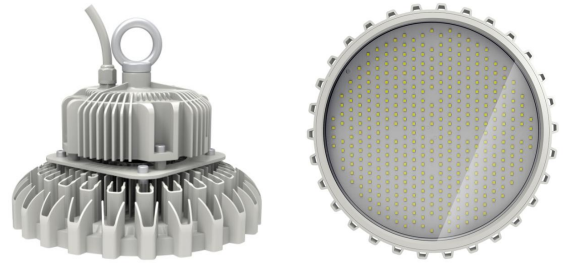


# Compact II

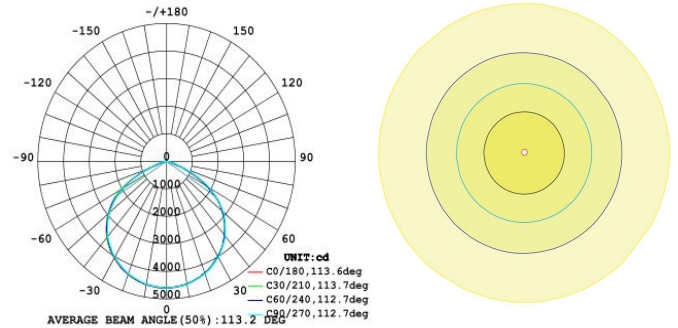
## 80W LED High Bay Specification



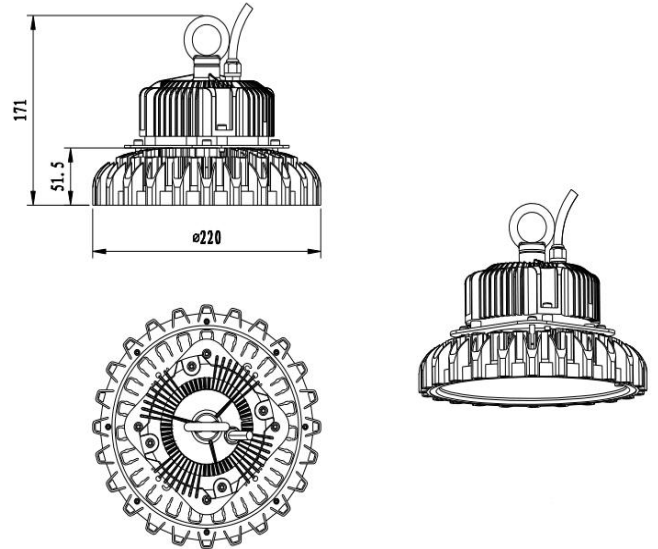
### Parameters

<b>Product Model</b>	YHL-ID-80-HB-VE
<b>LED Chip Brand</b>	Nichia
<b>Light Efficiency</b>	≥150 lm/W ( 130lm/W Optional )
<b>Luminous Flux</b>	>12000 lm
<b>Color Temperature</b>	4500 ~ 5500K(2500 ~ 5500K optional)
<b>Beam Angle</b>	120° ( 90°optional)
<b>Total Power Consumption</b>	85W±5W
<b>Output Current</b>	2.3A ( constant current)
<b>Output Voltage</b>	DC 30-36V
<b>Net Weight</b>	2.4KG±0.2kg(with driver)
<b>Light Dimensions</b>	L220mm*W220mm*H171mm
<b>Light Package Dimensions</b>	L300mm*W300mm*H255mm

### Light Distribution



### Physical Dimensions



≥0.95	70 Ra	IP65	≥100000 Hrs	AC 100-277V	47-63Hz
Power Factor	CRI	IP Level	TM-21(L70)	Input Voltage	Power Frequency

### Others

<b>Power Efficiency</b>	<b>Working Temperature (Environment)</b>	<b>Heat Sink Surface Temperature</b>
≥91%	-30°C ~ +50°C	61.1°C( Room Temperature 27.7°C)
<b>Fixture Efficiency</b>	<b>Working Humidity (Environment)</b>	<b>Luminaire Base Temperature</b>
≥90%	15% ~ 90%RH	70.9°C (Room Temperature 27.7°C)
<b>Total Harmonic Distortion</b>	<b>Storing Condition</b>	<b>LED Power Consumption</b>
≤15%	-40°C ~ +65°C	78W±5W

Suitable for Workshop, Warehouse, Gymnasium, Gas station, Shopping mall, Garage and other Lighting Purposes