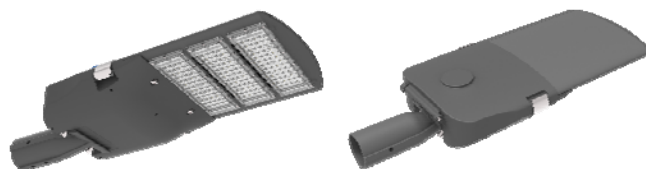


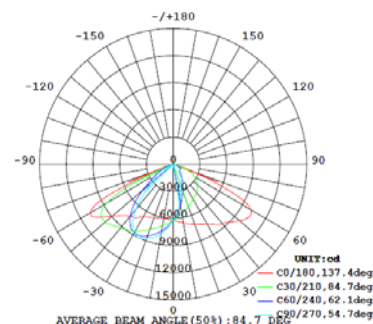
Edge

150W LED street light Specification

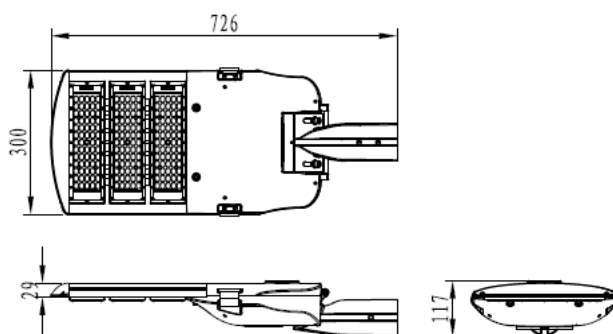


Parameters Light Distribution

Product Model	YHL-ST11-150
LED Chip Brand	Nichia
Light Efficiency	140lm/W
Luminous Flux	21000lm
Color Temperature	4500 ~ 5500K(2500 ~ 5500K optional)
Beam Angle	70*150° (60*140°, 65*145° optional)
Total Power Consumption	100W±5W
Output Current	2.88A (Constant Current)
Output Voltage	DC 42 ~ 48V
Net Weight	7.0kg±0.4kg
Light Dimensions	L726mm×W300mm×H117mm
Light Package Dimensions	L815mm×W390mm×H210mm



Physical Dimensions



≥0.95	75 Ra	IP65	≥100000 Hrs	AC 100-277V	47-63Hz
Power Factor	CRI	IP Level	Lifespan	Input Voltage	Power Frequency

Others

Power Efficiency	Working Temperature (Environment)	Heat Sink Surface Temperature
≥90%	-40°C ~ +45°C	61°C (Room Temperature 30°C)
Fixture Efficiency	Working Humidity (Environment)	Luminaire Base Temperature
≥90%	15% ~ 90%RH	70.7°C (Room Temperature 30°C)
Total Harmonic Distortion	Storing Condition	LED Power Consumption
≤15%	-40°C ~ +65°C	138W±5W

Suitable for Highway, Roadway, Streetscape, Walkway, Parking lot, Plant road and Other Lighting Purposes

* Subject to change without notice.

