

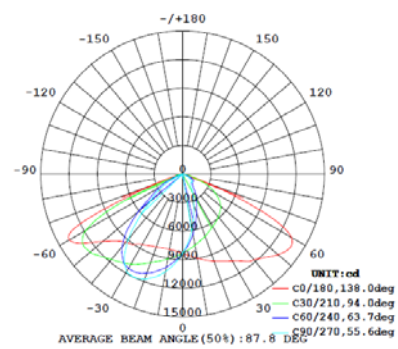
# Edge

## 200W LED street light Specification

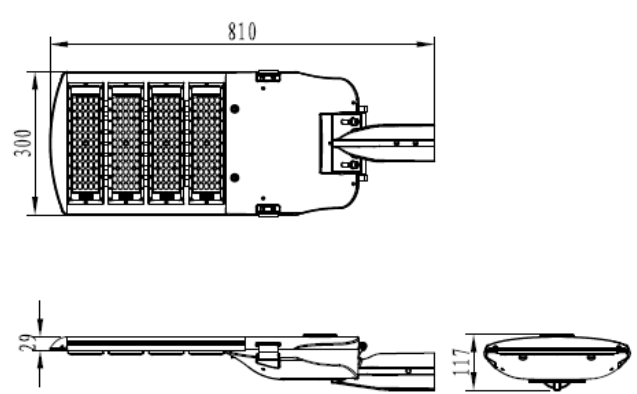


### Parameters Light Distribution

<b>Product Model</b>	YHL-ST11-200
<b>LED Chip Brand</b>	Nichia
<b>Light Efficiency</b>	140lm/W
<b>Luminous Flux</b>	28000lm
<b>Color Temperature</b>	4500 ~ 5500K(2500 ~ 5500K optional)
<b>Beam Angle</b>	70*150° ( 60*140°, 65*145° optional)
<b>Total Power Consumption</b>	200W±10W
<b>Output Current</b>	3.88A ( Constant Current )
<b>Output Voltage</b>	DC 42 ~ 48V
<b>Net Weight</b>	7.8kg±0.4kg
<b>Light Dimensions</b>	L810mm×W300mm×H117mm
<b>Light Package Dimensions</b>	L900mm×W390mm×H210mm



### Physical Dimensions



<b>≥0.95</b>	<b>75 Ra</b>	<b>IP65</b>	<b>≥100000 Hrs</b>	<b>AC 100-277V</b>	<b>47-63Hz</b>
Power Factor	CRI	IP Level	Lifespan	Input Voltage	Power Frequency

### Others

<b>Power Efficiency</b>	<b>Working Temperature (Environment)</b>	<b>Heat Sink Surface Temperature</b>
≥90%	-40°C ~ +45°C	59.6°C (Room Temperature 26.4°C)
<b>Fixture Efficiency</b>	<b>Working Humidity (Environment)</b>	<b>Luminaire Base Temperature</b>
≥90%	15% ~ 90%RH	71.1°C (Room Temperature 26.4°C)
<b>Total Harmonic Distortion</b>	<b>Storing Condition</b>	<b>LED Power Consumption</b>
≤15%	-40°C ~ +65°C	186W±10W

Suitable for Highway, Roadway, Streetscape, Walkway, Parking lot, Plant road and Other Lighting Purposes