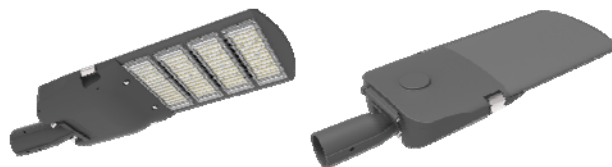


Edge

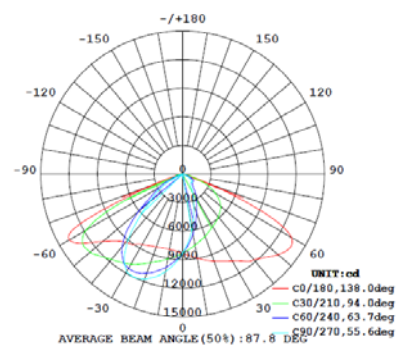
200W LED street light Specification



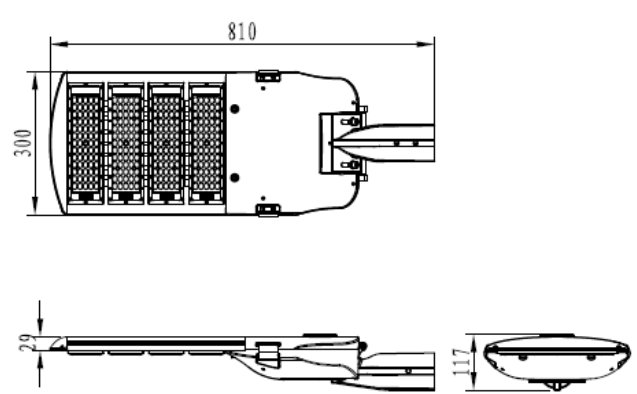
Parameters

| | |
|--------------------------|--------------------------------------|
| Product Model | YHL-ST11-240 |
| LED Chip Brand | Nichia |
| Light Efficiency | 130lm/W |
| Luminous Flux | 31200lm |
| Color Temperature | 4500 ~ 5500K(2500 ~ 5500K optional) |
| Beam Angle | 70*150° (60*140°, 65*145° optional) |
| Total Power Consumption | 240W±10W |
| Output Current | 4.65A (Constant Current) |
| Output Voltage | DC 42 ~ 48V |
| Net Weight | 7.9kg±0.4kg |
| Light Dimensions | L810mm×W300mm×H117mm |
| Light Package Dimensions | L900mm×W390mm×H210mm |

Light Distribution



Physical Dimensions



| | | | | | |
|--------------|-------|----------|-------------|---------------|-----------------|
| ≥0.95 | 75 Ra | IP65 | ≥100000 Hrs | AC 100-277V | 47-63Hz |
| Power Factor | CRI | IP Level | Lifespan | Input Voltage | Power Frequency |

Others

| | | |
|---------------------------|-----------------------------------|--------------------------------|
| Power Efficiency | Working Temperature (Environment) | Heat Sink Surface Temperature |
| ≥90% | -40°C ~ +45°C | 59.6°C (Room Temperature 30°C) |
| Fixture Efficiency | Working Humidity (Environment) | Luminaire Base Temperature |
| ≥90% | 15% ~ 90%RH | 71.1°C (Room Temperature 30°C) |
| Total Harmonic Distortion | Storing Condition | LED Power Consumption |
| ≤15% | -40°C ~ +65°C | 223W±10W |

Suitable for Highway, Roadway, Streetscape, Walkway, Parking lot, Plant road and Other Lighting Purposes