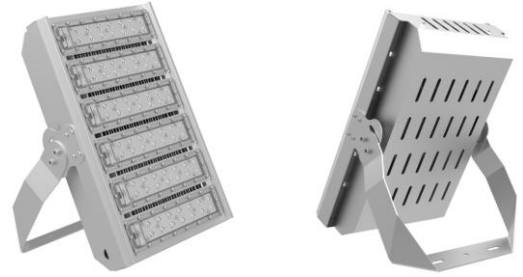


Lumiway II

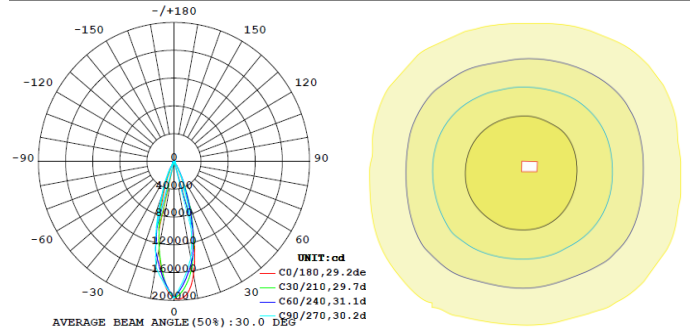
300W LED High Mast Light Specification



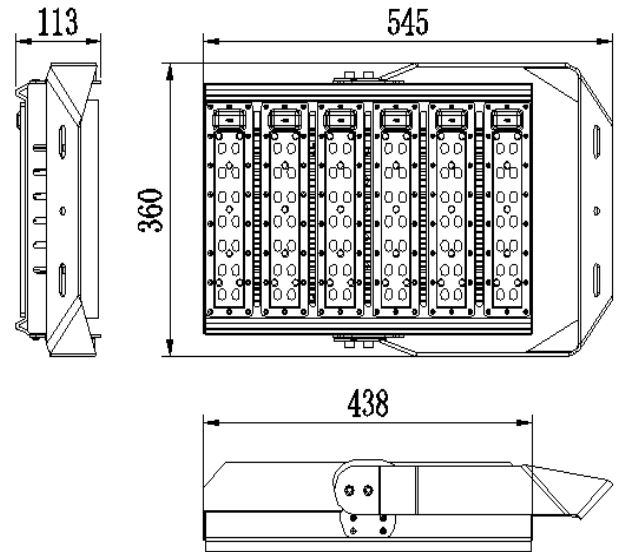
Parameters

Product Model	YHL-PO-300
LED Chip Brand	Nichia
Light Efficiency	≥110 lm/W
Luminous Flux	>33000 lm
Color Temperature	4500 ~ 5500K(2500 ~ 5500K optional)
Beam Angle	30°(60°90° optional)
Total Power Consumption	300W±10W
Output Current	6.7A (constant current)
Output Voltage	DC 36 ~ 48V
Net Weight	7.6kg±0.3kg
Light Dimensions	L438mm×W360mm×H113mm
Light Package Dimensions	L580mm×W400mm×H200mm

Light Distribution



Physical Dimensions



≥0.95	70 Ra	IP65	≥100000 Hrs	AC 100-277V	47-63Hz
Power Factor	CRI	IP Level	TM-21(L70)	Input Voltage	Power Frequency

Others

Power Efficiency	Working Temperature (Environment)	Heat Sink Surface Temperature
≥92%	-40°C ~ +50°C	63°C (Room Temperature 30°C)
Fixture Efficiency	Working Humidity (Environment)	Luminaire Base Temperature
≥90%	15%~90%RH	73°C (Room Temperature 30°C)
Total Harmonic Distortion	Storing Condition	LED Power Consumption
≤15%	-40°C ~ +65°C	275W±10W

Suitable for Square, Intersection, Overpass bridge, Harbor, Dock, Airport, Toll station, Stadium and Other Lighting Purposes