

# Rana

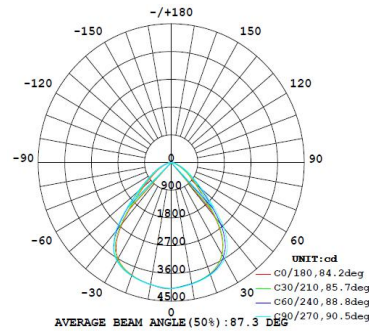
## 150W LED Flood Light Specification



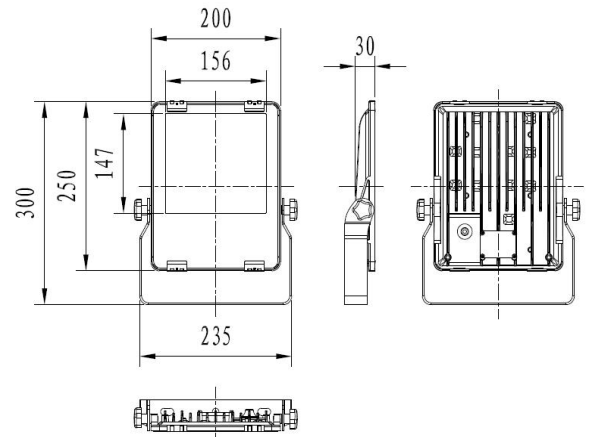
### Parameters

<b>Product Model</b>	YHL-FL13-150
<b>LED Chip Brand</b>	Nichia
<b>Light Efficiency</b>	120 lm/W
<b>Luminous Flux</b>	18000 lm
<b>Color Temperature</b>	4500 ~ 5500K(2500 ~ 5500K optional)
<b>Beam Angle</b>	90°(120°、80150optional)
<b>Total Power Consumption</b>	150W±5W
<b>Net Weight</b>	1.8KG±0.2kg
<b>Light Dimensions</b>	L250mm*W200mm*H30mm
<b>Light Package Dimensions</b>	L274mm*W68mm*H319mm

### Light Distribution



### Physical Dimensions



<b>≥0.99</b>	<b>75 Ra</b>	<b>IP66</b>	<b>≥100000 Hrs</b>	<b>AC 100/220/240V</b>	<b>47-63Hz</b>
Power Factor	CRI	IP Level	TM-21(L70)	Input Voltage	Power Frequency

### Others

<b>Power Efficiency</b>	<b>Working Temperature (Environment)</b>	<b>Heat Sink Surface Temperature</b>
>80%	-40°C ~ +50°C	83.8°C (Room Temperature 25°C)
<b>Fixture Efficiency</b>	<b>Working Humidity (Environment)</b>	<b>Luminaire Base Temperature</b>
≥90%	15% ~ 90%RH	88.9°C (Room Temperature 25°C)
<b>Total Harmonic Distortion</b>	<b>Storing Condition</b>	<b>LED Power Consumption</b>
≤15%	-40°C ~ +65°C	150W±5W

Suitable for Parking lot , Mansion outdoor scene, Gas station, Stadium and Other Lighting Purposes