

Rana

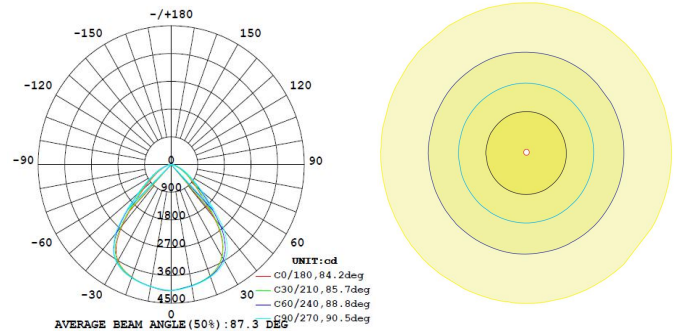
200W LED Flood Light Specification



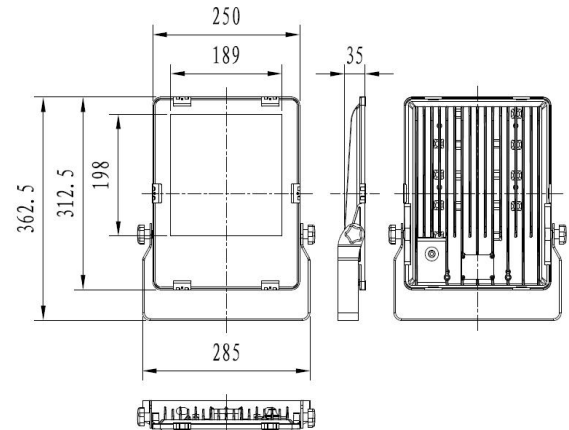
Parameters

Product Model	YHL-FL13-200
LED Chip Brand	Nichia
Light Efficiency	120 lm/W
Luminous Flux	24000 lm
Color Temperature	4500 ~ 5500K(2500 ~ 5500K optional)
Beam Angle	90°(120°、80150、30°optional)
Total Power Consumption	200W±5W
Net Weight	2.5KG±0.2kg
Light Dimensions	L312.5mm*W250mm*H35mm
Light Package Dimensions	L324mm*W68mm*H379mm

Light Distribution



Physical Dimensions



≥0.99	75 Ra	IP66	≥100000 Hrs	AC 100/220/240V	47-63Hz
Power Factor	CRI	IP Level	TM-21(L ₇₀)	Input Voltage	Power Frequency

Others

Power Efficiency	Working Temperature (Environment)	Heat Sink Surface Temperature
>80%	-40°C ~ +50°C	81.4°C (Room Temperature 30°C)
Fixture Efficiency	Working Humidity (Environment)	Luminaire Base Temperature
≥90%	15% ~ 90%RH	87°C (Room Temperature 30°C)
Total Harmonic Distortion	Storing Condition	LED Power Consumption
≤15%	-40°C ~ +65°C	200W±5W

Suitable for Parking lot , Mansion outdoor scene, Gas station, Stadium and Other Lighting Purposes