

# SafeGuard

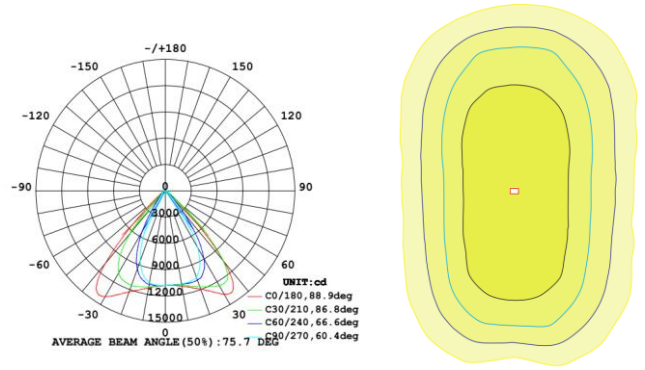
## 210W LED Flood Light Specification



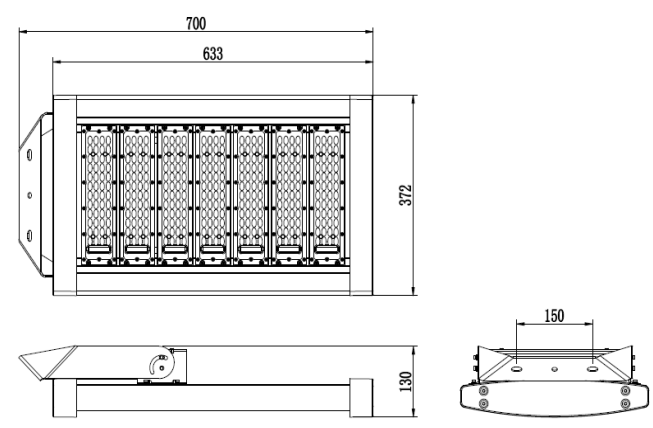
### Parameters

<b>Product Model</b>	YHL-FL5-210(C)
<b>LED Chip Brand</b>	Nichia
<b>Light Efficiency</b>	≥130lm/W
<b>Luminous Flux</b>	>27300lm
<b>Color Temperature</b>	4500 ~ 5500K(2500 ~ 5500K optional)
<b>Beam Angle</b>	60°90°
<b>Total Power Consumption</b>	210W±10W
<b>Output Current</b>	5.4A(Constant Current)
<b>Output Voltage</b>	DC 32 ~ 40V
<b>Net Weight</b>	9.4kg±0.2kg
<b>Light Dimensions</b>	L700mm×W372mm×H130mm
<b>Light Package Dimensions</b>	L740mm×W415mm×H170mm

### Light Distribution



### Physical Dimensions



≥0.95	75 Ra	IP65	≥100000 Hrs	AC 100-277V	47-63Hz
Power Factor	CRI	IP Level	TM-21(L <sub>70</sub> )	Input Voltage	Power Frequency

### Others

<b>Power Efficiency</b>	<b>Working Temperature (Environment)</b>	<b>Heat Sink Surface Temperature</b>
>92%	-40°C ~ +55°C	53°C ( Room Temperature25°C )
<b>Fixture Efficiency</b>	<b>Working Humidity (Environment)</b>	<b>Luminaire Base Temperature</b>
≥90%	15% ~ 90%RH	67°C ( Room Temperature25°C )
<b>Total Harmonic Distortion</b>	<b>Storing Condition</b>	<b>LED Power Consumption</b>
≤15%	-40°C ~ +65°C	185W±10W

Suitable for Parking lot , Mansion outdoor scene, Gas station, Stadium and Other Lighting Purposes