

SafeGuard

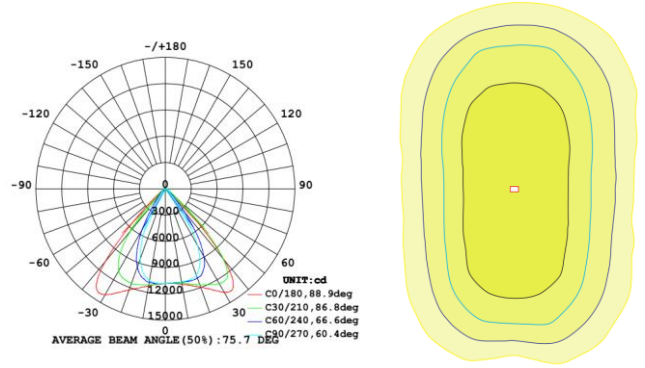
30W LED Flood Light Specification



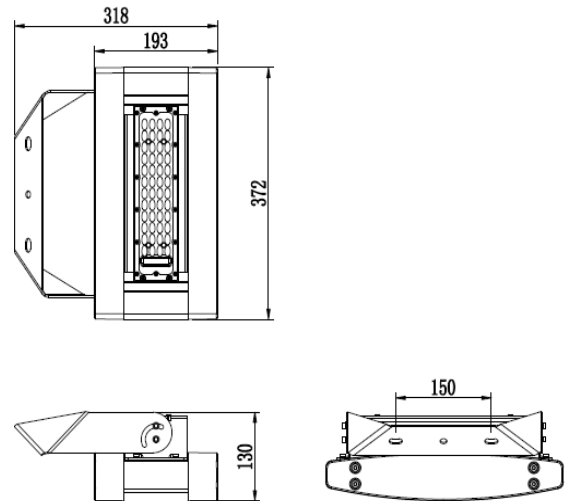
Parameters

Product Model	YHL-FL5-30(C)
LED Chip Brand	Nichia
Light Efficiency	≥130lm/W
Luminous Flux	≥3900lm
Color Temperature	4500 ~ 5500K(2500 ~ 5500K optional)
Beam Angle	60°90°
Total Power Consumption	35W±3W
Output Current	0.41A(Constant Current)
Output Voltage	DC 68 ~ 76V
Net Weight	4.2kg±0.2kg
Light Dimensions	L318mm×W372mm×H130mm
Light Package Dimensions	L380mm×W415mm×H170mm

Light Distribution



Physical Dimensions



≥0.95	75 Ra	IP65	≥100000 Hrs	AC 100-277V	47-63Hz
Power Factor	CRI	IP Level	TM-21(L ₇₀)	Input Voltage	Power Frequency

Others

Power Efficiency	Working Temperature (Environment)	Heat Sink Surface Temperature
>92%	-40°C ~ +55°C	53°C (Room Temperature25°C)
Fixture Efficiency	Working Humidity (Environment)	Luminaire Base Temperature
≥90%	15% ~ 90%RH	67°C (Room Temperature25°C)
Total Harmonic Distortion	Storing Condition	LED Power Consumption
≤15%	-40°C ~ +65°C	185W±10W

Suitable for Parking lot , Mansion outdoor scene, Gas station, Stadium and Other Lighting Purposes