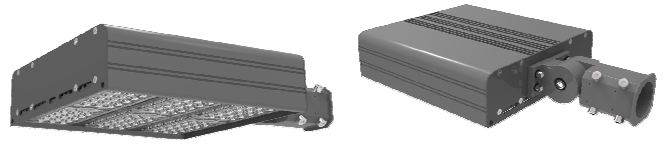


Shoe Box

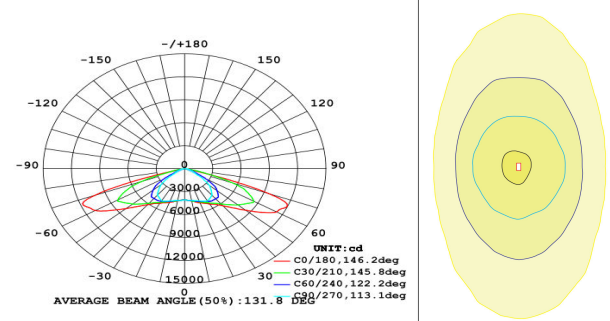
200W LED Shoe Box Street Light Specification



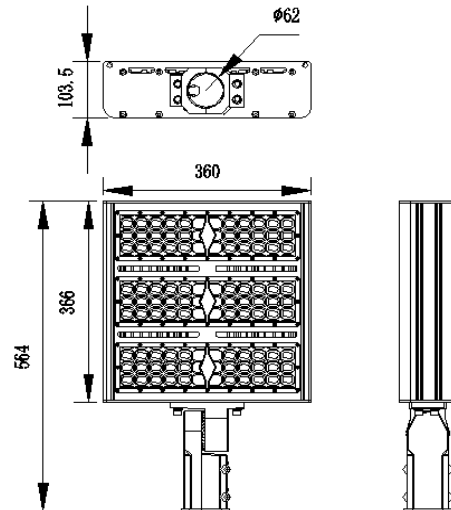
Parameters

Product Model	YHL-ST9-200
LED Chip Brand	Nichia
Light Efficiency	115lm/W
Luminous Flux	23000lm
Color Temperature	4500 ~ 5500K(2500 ~ 5500K optional)
Beam Angle	110*150° (80*150°可选)
Total Power Consumption	200W±10W
Output Current	5A(constant current)
Output Voltage	DC 36 ~ 48V
Net Weight	9.0kg±0.4kg
Light Dimensions	L564mm×W360mm×H103.5mm
Light Package Dimensions	L635mm×W430mm×H190mm

Light Distribution



Physical Dimensions



≥0.95	75 Ra	IP65	≥100000 Hrs	AC 100-277V	47-63Hz
Power Factor	CRI	IP Level	Lifespan	Input Voltage	Power Frequency

Others

Power Efficiency	Working Temperature (Environment)	Heat Sink Surface Temperature
≥93%	-40 ~ +50 °C	56.9 °C (Room Temperature 30 °C)
Fixture Efficiency	Working Humidity (Environment)	Luminaire Base Temperature
≥90%	15% ~ 90%RH	75.8 °C (Room Temperature 30 °C)
Total Harmonic Distortion	Storing Condition	LED Power Consumption
≤15%	-40 °C ~ +65 °C	186W±10W

Suitable for Highway, Roadway, Streetscape, Walkway, Parking lot, Plant road and Other Lighting Purposes