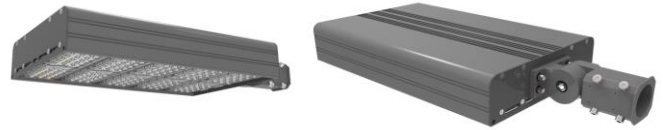


Shoe Box

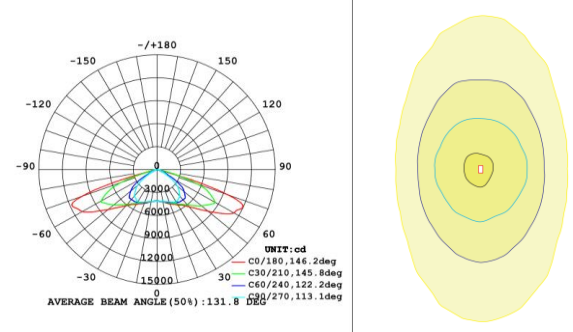
400W LED Shoe Box Street Light Specification



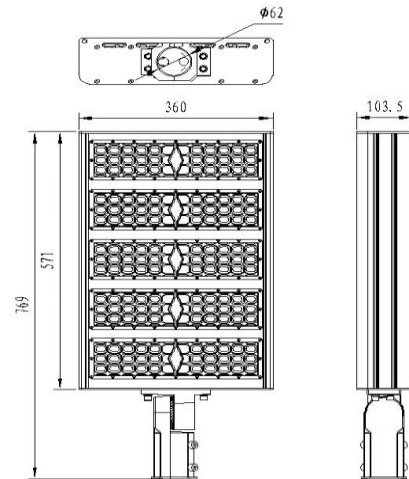
Parameters

Product Model	YHL-ST9-400
LED Chip Brand	Nichia
Light Efficiency	125lm/W
Luminous Flux	50000lm
Color Temperature	4500 ~ 5500K(2500 ~ 5500K optional)
Beam Angle	110*150° (80*150° optional)
Total Power Consumption	400W±20W
Output Current	8.2A(constant current)
Output Voltage	DC 36~48V
Net Weight	13.5kg±0.6kg
Light Dimensions	L769mm×W360mm×H103.5mm
Light Package Dimensions	L829mm×W430mm×H175mm

Light Distribution



Physical Dimensions



≥0.95	75 Ra	IP65	≥100000 Hrs	AC 100-277V	47-63Hz
Power Factor	CRI	IP Level	Lifespan	Input Voltage	Power Frequency

Others

Power Efficiency	Working Temperature (Environment)	Heat Sink Surface Temperature
≥93%	-40~+50℃	59.8℃(Room Temperature 30℃)
Fixture Efficiency	Working Humidity (Environment)	Luminaire Base Temperature
≥90%	15%~90%RH	91.3℃(Room Temperature 30℃)
Total Harmonic Distortion	Storing Condition	LED Power Consumption
≤15%	-40℃ ~ +65℃	380W±20W

Suitable for Highway, Roadway, Streetscape, Walkway, Parking lot, Plant road and Other Lighting Purposes