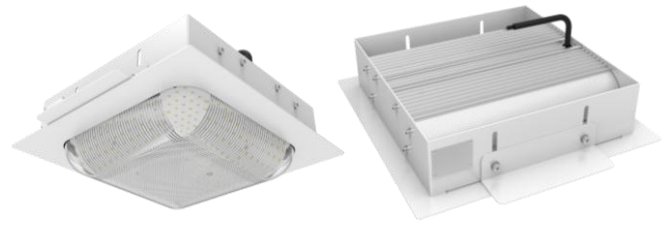


# T-Bar

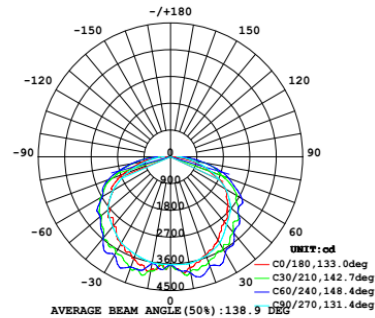
## 120W LED Canopy Light Specification



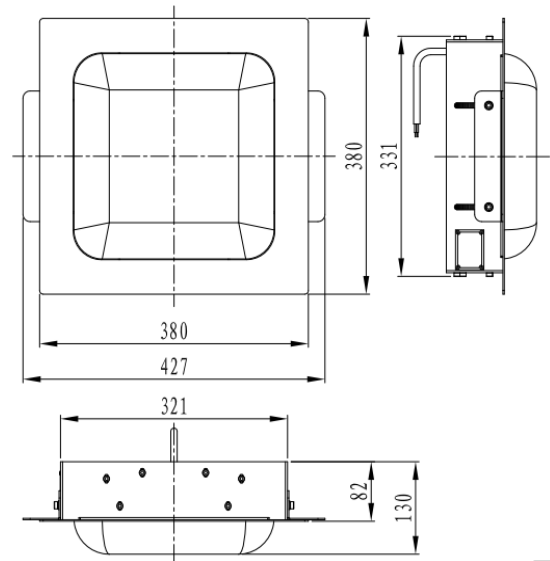
### Parameters

<b>Product Model</b>	YHL-CP-120(SL)
<b>LED Chip Brand</b>	Nichia
<b>Light Efficiency</b>	≥130lm/W
<b>Luminous Flux</b>	>15600lm
<b>Color Temperature</b>	4500 ~ 5500K(2500 ~ 5500K optional)
<b>Beam Angle</b>	140°
<b>Total Power Consumption</b>	125W±5W
<b>Output Current</b>	3.4A(constant current)
<b>Output Voltage</b>	DC 18 ~ 36V
<b>Net Weight</b>	6.2kg±0.2kg
<b>Light Dimensions</b>	L427mm×W380mm×H130mm
<b>Light Package Dimensions</b>	L500mm×W460mm×H210mm

### Light Distribution



### Physical Dimensions



≥0.95	70 Ra	IP65	≥100000 Hrs	AC 100-277V	47-63Hz
Power Factor	CRI	IP Level	TM-21 (L <sub>70</sub> )	Input Voltage	Power Frequency

### Others

<b>Power Efficiency</b>	<b>Working Temperature (Environment)</b>	<b>Heat Sink Surface Temperature</b>
>93%	-40 ~ +55°C	54°C(Room Temperature 23°C )
<b>Fixture Efficiency</b>	<b>Working Humidity (Environment)</b>	<b>Luminaire Base Temperature</b>
≥90%	15% ~ 90%RH	68°C(Room Temperature 23°C )
<b>Total Harmonic Distortion</b>	<b>Storing Condition</b>	<b>LED Power Consumption</b>
≤15%	-40°C ~ +65°C	115W±5W

Suitable for Parking lot , Mansion outdoor scene, Gas station, Stadium and Other Lighting Purposes