

T-Bar

150W LED Flood Light Specification

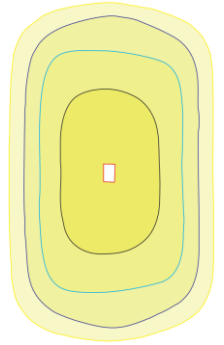
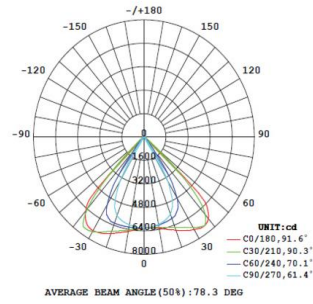


Parameters

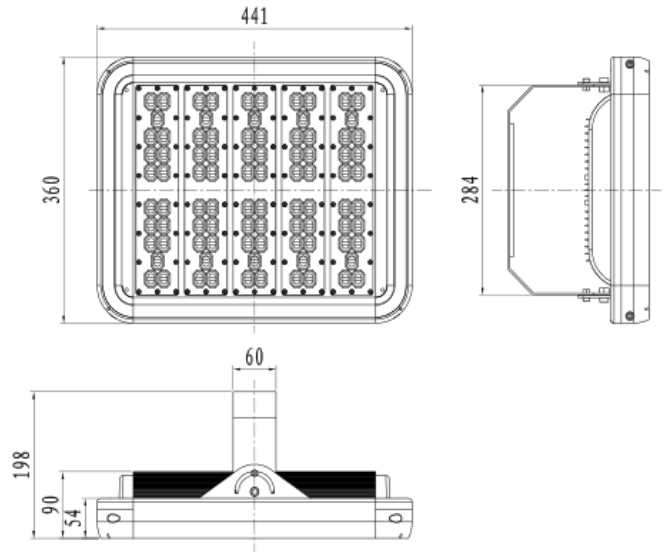
Product Model	YHL-FL3-150
LED Chip Brand	Nichia
Light Efficiency	≥100lm/W
Luminous Flux	>15000lm
Color Temperature	4500 ~ 5500K(2500 ~ 5500K optional)
Beam Angle	60°~90°
Total Power Consumption	150W±10W
Output Current	2.5A(Constant Current)
Output Voltage	DC 48 ~ 56V
Net Weight	9.2kg±0.2kg
Light Dimensions	L441mm×W360mm×H90mm
Light Package Dimensions	L520mm×W440mm×H205mm

Light Distribution

LUMINOUS INTENSITY DISTRIBUTION DIAGRAM



Physical Dimensions



≥0.95	70 Ra	IP65	≥100000 Hrs	AC 100-277V	47-63Hz
Power Factor	CRI	IP Level	TM-21(L ₇₀)	Input Voltage	Power Frequency

Others

Power Efficiency	Working Temperature (Environment)	Heat Sink Surface Temperature
>93%	-40 ~ +55°C	46.6°C(Room Temperature 23°C)
Fixture Efficiency	Working Humidity (Environment)	Luminaire Base Temperature
≥90%	15% ~ 90%RH	57.9°C(Room Temperature 23°C)
Total Harmonic Distortion	Storing Condition	LED Power Consumption
≤15%	-40°C ~ +65°C	140W±10W

Suitable for Parking lot , Mansion outdoor scene, Gas station, Stadium and Other Lighting Purposes