

# T-Bar

## 80W LED Flood Light Specification

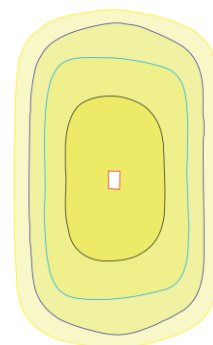
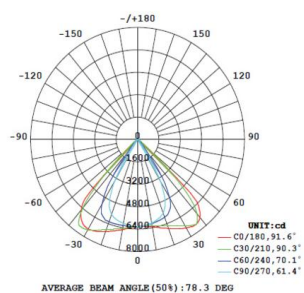


### Parameters

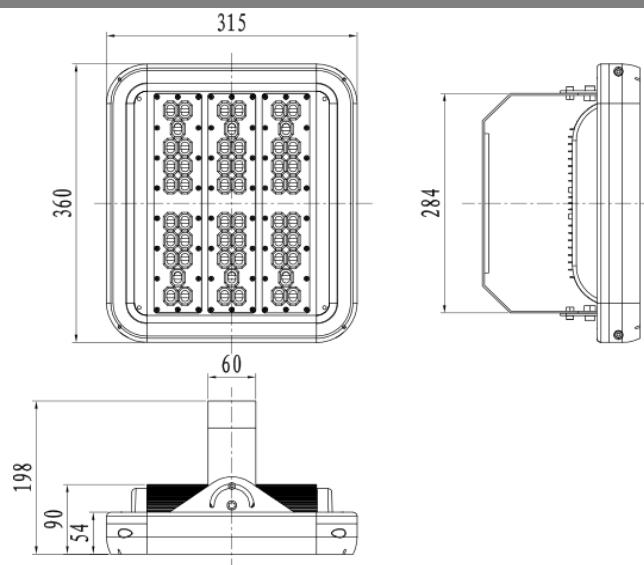
|                                 |                                     |
|---------------------------------|-------------------------------------|
| <b>Product Model</b>            | YHL-FL3-80                          |
| <b>LED Chip Brand</b>           | Nichia                              |
| <b>Light Efficiency</b>         | ≥100lm/W                            |
| <b>Luminous Flux</b>            | >8000lm                             |
| <b>Color Temperature</b>        | 4500 ~ 5500K(2500 ~ 5500K optional) |
| <b>Beam Angle</b>               | 60°~90°                             |
| <b>Total Power Consumption</b>  | 80W±5W                              |
| <b>Output Current</b>           | 1.35A(Constant Current)             |
| <b>Output Voltage</b>           | DC 48 ~ 56V                         |
| <b>Net Weight</b>               | 7.0kg±0.2kg                         |
| <b>Light Dimensions</b>         | L315mm×W360mm×H90mm                 |
| <b>Light Package Dimensions</b> | L400mm×W440mm×H205mm                |

### Light Distribution

LUMINOUS INTENSITY DISTRIBUTION DIAGRAM



### Physical Dimensions



|              |       |          |                         |               |                 |
|--------------|-------|----------|-------------------------|---------------|-----------------|
| ≥0.95        | 70 Ra | IP65     | ≥100000 Hrs             | AC 100-277V   | 47-63Hz         |
| Power Factor | CRI   | IP Level | TM-21(L <sub>70</sub> ) | Input Voltage | Power Frequency |

### Others

|                                  |  |                                      |
|----------------------------------|--|--------------------------------------|
| <b>Power Efficiency</b>          | <b>Working Temperature (Environment)</b> | <b>Heat Sink Surface Temperature</b> |
| >91%                             | -40 ~ +55°C                              | 41.5°C(Room Temperature 23°C )       |
| <b>Fixture Efficiency</b>        | <b>Working Humidity (Environment)</b>    | <b>Luminaire Base Temperature</b>    |
| ≥90%                             | 15% ~ 90%RH                              | 53.1°C(Room Temperature 23°C )       |
| <b>Total Harmonic Distortion</b> | <b>Storing Condition</b>                 | <b>LED Power Consumption</b>         |
| ≤15%                             | -40°C ~ +65°C                            | 72W±5W                               |

Suitable for Parking lot , Mansion outdoor scene, Gas station, Stadium and Other Lighting Purposes