

# Tri

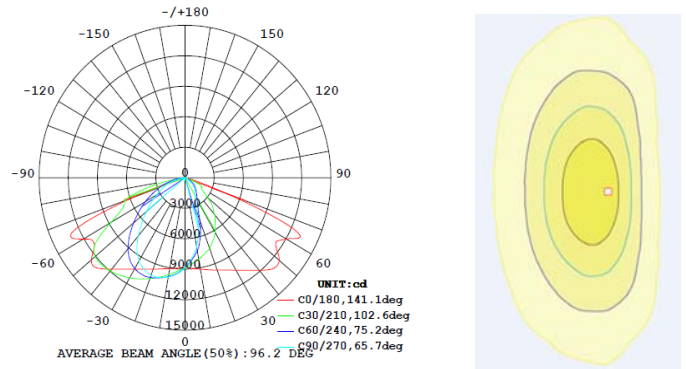
## 300W LED street light Specification



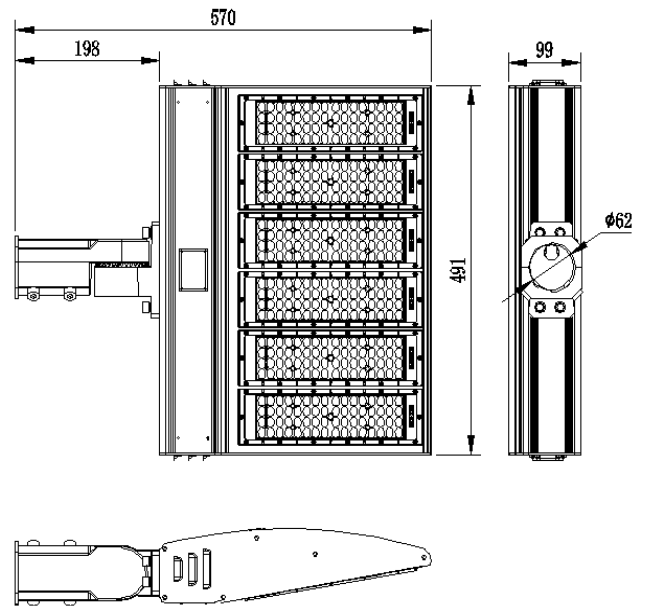
### Parameters

<b>Product Model</b>	YHL-ST10-300
<b>LED Chip Brand</b>	Nichia
<b>Light Efficiency</b>	140lm/W
<b>Luminous Flux</b>	42000lm
<b>Color Temperature</b>	4500 ~ 5500K(2500 ~ 5500K optional)
<b>Beam Angle</b>	65*140° (50*130° optional)
<b>Total Power Consumption</b>	300W±5W
<b>Output Current</b>	5.9A ( Constant Current )
<b>Output Voltage</b>	DC 42 ~ 48V
<b>Net Weight</b>	9 kg±0.4kg
<b>Light Dimensions</b>	L570mm×W491mm×H99mm
<b>Light Package Dimensions</b>	L642mm×W562mm×H177mm

### Light Distribution



### Physical Dimensions



<b>≥0.95</b>	<b>75 Ra</b>	<b>IP65</b>	<b>≥100000 Hrs</b>	<b>AC 100-277V</b>	<b>47-63Hz</b>
Power Factor	CRI	IP Level	Lifespan	Input Voltage	Power Frequency

### Others

<b>Power Efficiency</b>	<b>Working Temperature (Environment)</b>	<b>Heat Sink Surface Temperature</b>
≥92%	-40°C ~ +45°C	65°C (Room Temperature 30°C)
<b>Fixture Efficiency</b>	<b>Working Humidity (Environment)</b>	<b>Luminaire Base Temperature</b>
≥90%	15% ~ 90%RH	72°C (Room Temperature 30°C)
<b>Total Harmonic Distortion</b>	<b>Storing Condition</b>	<b>LED Power Consumption</b>
≤15%	-40°C ~ +65°C	276W±5W

Suitable for Highway, Roadway, Streetscape, Walkway, Parking lot, Plant road and Other Lighting Purposes

