

# Tri street light

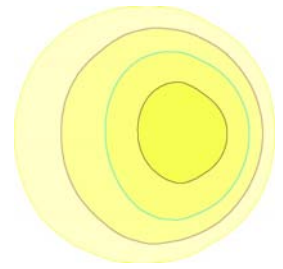
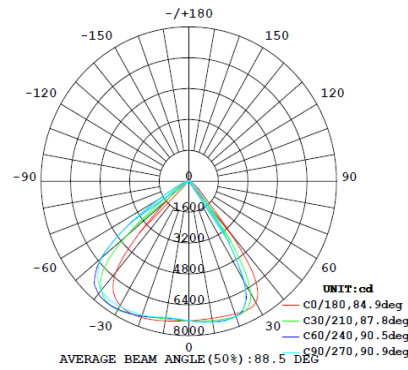
## 60W LED flood light Specification



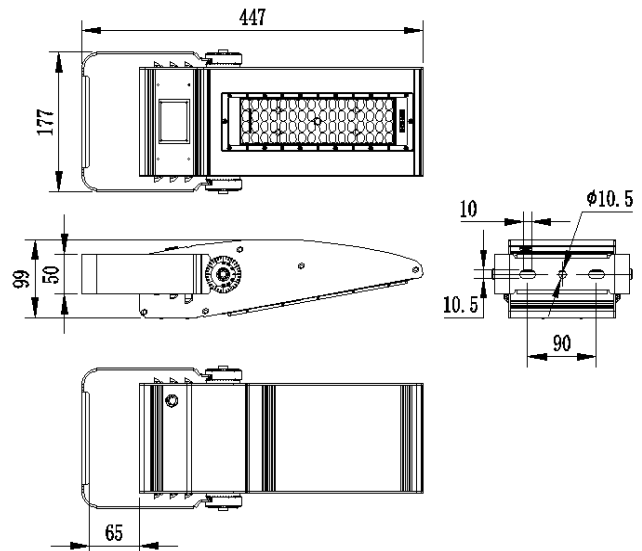
### Parameters

|                                 |                                     |
|---------------------------------|-------------------------------------|
| <b>Product Model</b>            | YHL-FL11-60                         |
| <b>LED Chip Brand</b>           | Nichia                              |
| <b>Light Efficiency</b>         | 130lm/W                             |
| <b>Luminous Flux</b>            | 7800lm                              |
| <b>Color Temperature</b>        | 4500 ~ 5500K(2500 ~ 5500K optional) |
| <b>Beam Angle</b>               | 90°, ( 40°,60°,120°,160° optional)  |
| <b>Total Power Consumption</b>  | 60W±5W                              |
| <b>Output Current</b>           | 1.2A ( 恒流 )                         |
| <b>Output Voltage</b>           | DC 42 ~ 48V                         |
| <b>Net Weight</b>               | 4.5kg±0.2kg                         |
| <b>Light Dimensions</b>         | L447mm×W177mm×H99mm                 |
| <b>Light Package Dimensions</b> | L522mm×W252mm×H177mm                |

### Light Distribution



### Physical Dimensions



|              |       |          |             |               |                 |
|--------------|-------|----------|-------------|---------------|-----------------|
| ≥0.95        | 75 Ra | IP65     | ≥100000 Hrs | AC 100-277V   | 47-63Hz         |
| Power Factor | CRI   | IP Level | Lifespan    | Input Voltage | Power Frequency |

### Others

|                                  |  |                                      |
|----------------------------------|--|--------------------------------------|
| <b>Power Efficiency</b>          | <b>Working Temperature (Environment)</b> | <b>Heat Sink Surface Temperature</b> |
| ≥92%                             | -40°C ~ +45°C                            | 53°C (Room Temperature 30°C)         |
| <b>Fixture Efficiency</b>        | <b>Working Humidity (Environment)</b>    | <b>Luminaire Base Temperature</b>    |
| ≥90%                             | 15% ~ 90%RH                              | 65°C (Room Temperature 30°C)         |
| <b>Total Harmonic Distortion</b> | <b>Storing Condition</b>                 | <b>LED Power Consumption</b>         |
| ≤15%                             | -40°C ~ +65°C                            | 53W±5W                               |

Suitable for Parking lot , Mansion outdoor scene, Gas station, Stadium and Other Lighting Purposes